

MODEL	F20 Sorter Connector Unit (Europe version only)	VOLT/Hz	DATE OF MODIFICATION	SERIAL NO
MODIFIED ARTICLE	Fuse			
REASON OF MODIFICATION	To meet safety standards			

To meet safety standards, the following part has been changed with the interchangeability code X/O.

<u>Old P/N</u>	<u>New P/N</u>	<u>Description</u>	<u>Q'ty</u>	<u>Index No.</u>	<u>Page</u>
11070265	11070596	Fuse - 3A (220/240V)	1 - 1	107	7-5


M. Konno, Manager
 Quality Assurance Department

CONTROL NO. No. 6	V/HZ	DESTINATION	CODE	SERIAL NO.
MODEL NAME				
Ricoh Sorter	115/60	USA, CANADA	5946-17	
Connector Unit				
Ricoh Sorter	220,240/50	EUROPE, etc.	5946-27	2190600449
Connector Unit				
Kalle Sorter	220,240/50	EUROPE, etc.	5946-27	3440690001
Connector Unit				

M/B NO. : Master number of modification bulletin for this model.

CONTROL NO. : Reference number of modification bulletin for your model.

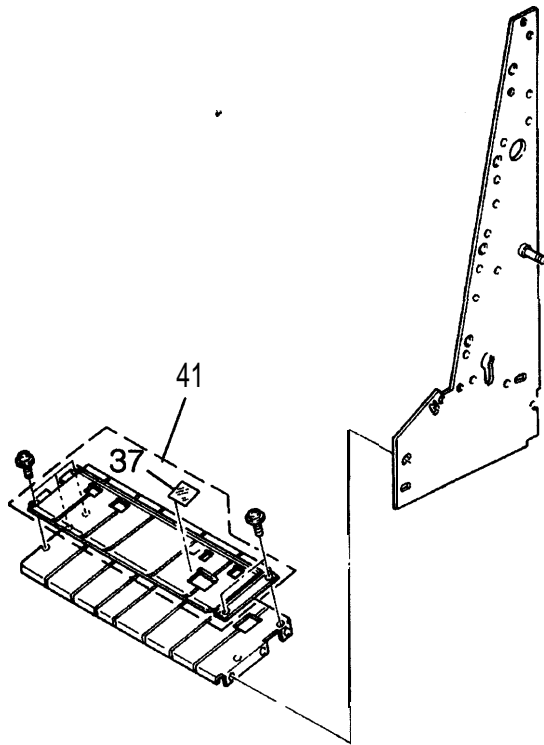
Model		Sorter Connector Unit Type A						Volt/Hz	Date of Modification	Serial Number	
Modified Article		Driven Roller Guide Plate and Fixing Cover									
Reason for Modification		To facilitate servicing in the field									
Draw No.	Old Parts No.	New Parts No.	Description	A.B.C. Rank	Q'ty Used Old → New	Inter-changeability	Part needed for replacement by new part		Parts Catalog		
							Part No.	Description	Index No.	Page	
	59463411		Upper Guide Plate - Driven Roller		1 - 0				41	7-5	
		A3103415	Guide Plate - Driven Roller		0-1	X/o			41	7-5	
	59463611	A3103615	Fixing Cover		1-1	X/O			7	7-7	

Rank: A : Replace with new parts immediately. B : Replace with new parts at time of repair. C : Replace with new parts at time of overhaul.
 Interchangeability:
 (1) When old and new parts are not mutually interchangeable, use additional parts or an assembly part as indicated in "Parts needed for replacement by new part" to install the new part.
 (2) The mark to the left of the slash indicates whether the old part can be used in the new machine, and the mark to the right indicates whether the new part can be used in the old machine. x = Not interchangeable o = Interchangeable

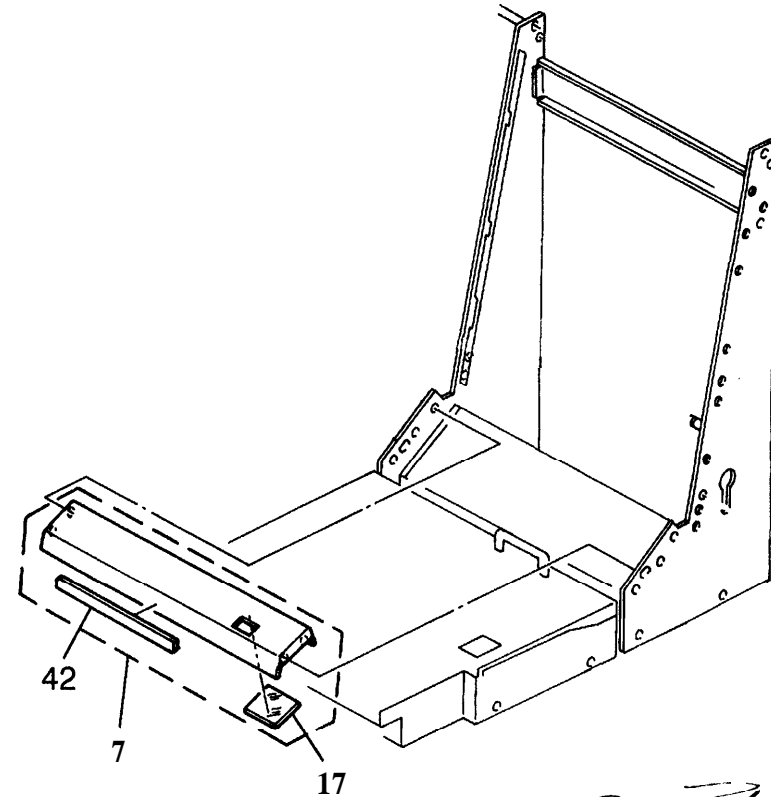
DETAILS OF MODIFICATION

To facilitate servicing in the field, the level of the service parts have been changed as shown in the illustrations.

1. TRANSPORT SECTION (Page 7-4)



2. VERTICAL TRANSPORT SECTION (page 7-6)



Mitsuru
"M. Konno, Manager

MODEL NAME	V/Hz	DESTINATION	CODE	SERIAL NUMBER
Sorter Connector Unit Type A	11 5/60	USA, Canada	5946-17	Service Parts Only
Sorter Connector Unit Type A	220,240/50	Europe, etc.	5946-27	Service Parts Only
infotec Sorter Connector Unit Type A	2 2 0, 2 4 0, 5 0	Europe	5946-27	Service Parts Only

Model	Sorter Connector Unit Type A	Volt/Hz	Date of Modification	Serial Number
Modified Article	EPROM on the sorter main board			
Reason for Modification	To minimize paper jams in the second sorter with the F22.			

Part Number	DESCRIPTION	OLD NEW	Index	Page
59375613(G)	IC - HN4827128G - 25	0 → 1	* 65	* 5

* New

An extra ROM and the EPROM replacement procedure (see fig. 1) for the sorter has been packed in the accessory box of the sorter connector unit. This ROM is to replace the ROM on the 1st. sorter main board, if the 1st. sorter has a ROM with P/N 59375603 or 59375613 (No suffix to " F ") on the main PCB and the sorters will be connected to the F22. From the following S/N of sorter (see table 1), a ROM with P/N 59375613 " G" has been installed at the factor. For those sorters, it is not necessary to replace an original ROM with a ROM in the connector unit.

EPRM REPLACEMENT PROCEDURE

When installing 2 sorters on the following copiers, replace the EPROM on the sorter control PCB of the first sorter with the EPROM in this accessory box.

Copiers: Ricoh FT7870
 Savin 9710
 infotec 9172DZ
 Nashua 4172

Caution:

1. Before replacing the EPROM, turn off the copier main power switch.
2. Be sure to install the EPROM in the correct orientation.

59468725

Figure 1

Model	S/N
5937 - 11 (Pitney Bowes)	No production
- 15 (Savin)	94105XXXXX
- 17 (Ricoh USA)	No production
- 25 (Nashua)	9210300859
- 26 (Infotec)	No production
- 27 (Ricoh Europe)	No production
A462 - 15 (Savin)	385106XXXX
- 17 (Ricoh USA)	2451020001
- 26 (Infotec)	3860410001
- 27 (Ricoh Europe)	2451020046

Table 1

T. Ito, Manager
 Copier Technical Support

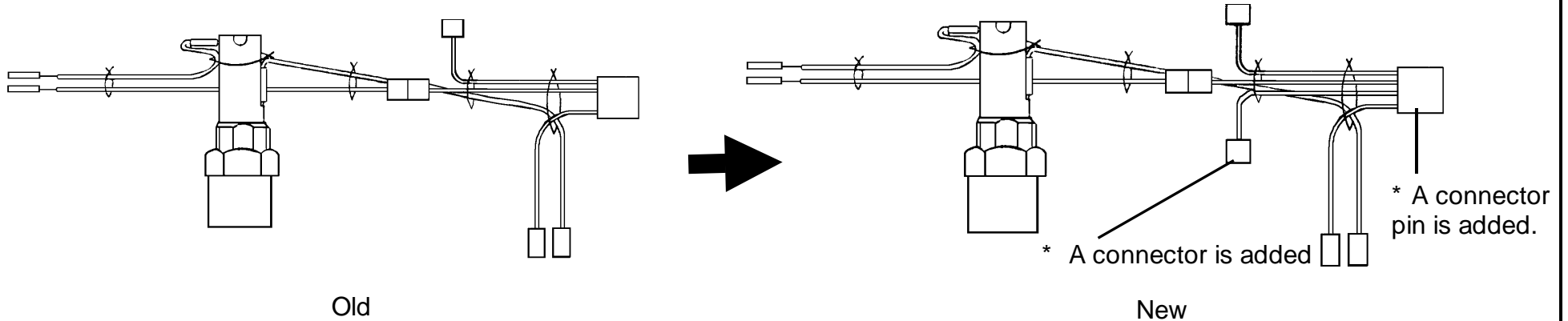
MODEL NAME	V/Hz	DESTINATION	CODE	SERIAL NUMBER
Sorter Connector Unit Type A	115/60	USA, Canada	5946-17	21105XXXXX
Sorter Connector Unit Type A	220,240/50	Europe, etc.	5946-27	2101200505
Infotec Sorter Connector Unit Type A	220,240/50	Europe	5946-27	3441200001

Model		Sorter Connector Unit Type A					Volt/Hz	Date of Modification	Serial Number	
Modified Article		Transformer								
Reason for Modification		European standard wall voltage will be standardized to 230Vac in the near future. So, the new main transformer can access 220V, 230V, and 240V.								
Draw No.	Old Parts No.	New Parts No.	Description	A.B.C.	Q'ty Used Old → New	Inter-changeability	Part needed for replacement by new part		Parts Catalog	
				Rank			Part No.	Description	Index No.	Page
	59465300	AZ130017	Transformer		1 → 1	X/X			59	5
	59465120		Fuse Ass'y - 220/240V		1 → 0	X/		O/O as a set	39	5
		59465121	Fuse Ass'y - 220/230/240V		0 → 1	/X			39	5
	59465120	59469500	Fuse Ass'y - 220/240V		1 → 1	O/O			39	5

Rank: A : Replace with new parts immediately. B : Replace with new parts at time of repair. C : Replace with new parts at time of overhaul.

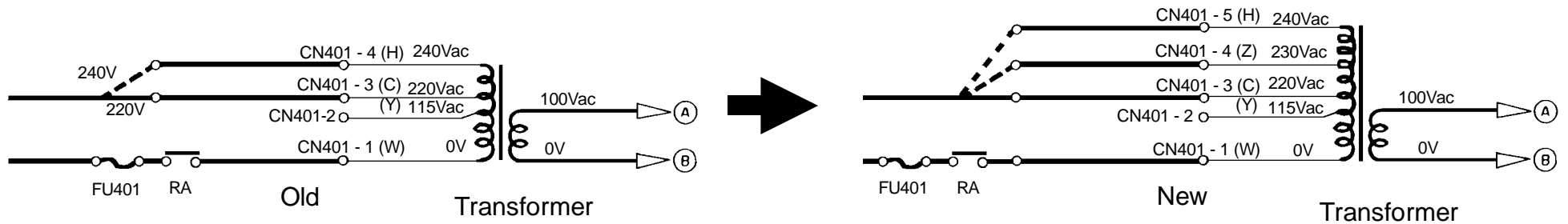
Interchangeability:
 (1) When old and new parts are not mutually interchangeable, use additional parts or an assembly part as indicated in "Parts needed for replacement by new part" to install the new part.
 (2) The mark to the left of the slash indicates whether the old part can be used in the new machine, and the mark to the right indicates whether the new part can be used in the old machine. x = Not interchangeable o = Interchangeable

New transformer can change 220Vac, 230Vac, and 240Vac to 100Vac. One connector has been added to the AC harness and the transformer. At the factory, 220Vac Connector is connected and the machine is shipped.



Fuse Ass'y - 220/240V

Fuse Ass'y - 220/230/240V



* Due to vendor change, part number of the old part has been changed from 59465120 to 59469500. 59469500 has no interchangeability (X/X) with 59465121. (59465300+ 59469500 as a set have interchangeability (O/O) with AZ130017+ 59465121 as a set.)

T. Ito, Manager
Copier Technical Support

MODEL NAME	V/Hz	DESTINATION	CODE	SERIAL NUMBER
Sorter Connector Unit Type A	115/60	USA, Canada	5946-17	
Sorter Connector Unit Type A	220,240/50	Europe, etc.	5946-27	2111100573 ~
Infotec Sorter Connector Unit Type A	220,240/50	Europe	5946-27	2111100573 ~

Model	Sorter Connector Unit Type A	Volt/Hz	Date of Modification	Serial Number
Modified Article	Leveling Foot Guide			
Reason for Modification	Due to parts standardization			

Old P/N	New P/N	Description	Q'ty Used	Inter-change-ability	Parts Catalog	
					Index No.	Page
54461086	AH013008	Leveling Foot Guide	2 → 2	O/O	30	7 - 7

S. Hamano, Assistant General Manager
 Technical Support Department

MODEL NAME	V/Hz	DESTINATION	CODE	SERIAL NUMBER
Sorter Connector Unit Type A	115/60	USA, Canada	5946-17	/
Sorter Connector Unit Type A	220,240/50	Europe, etc.	5946-27	
Infotec Sorter Connector Unit Type A	220,240/50	Europe	5946-27	